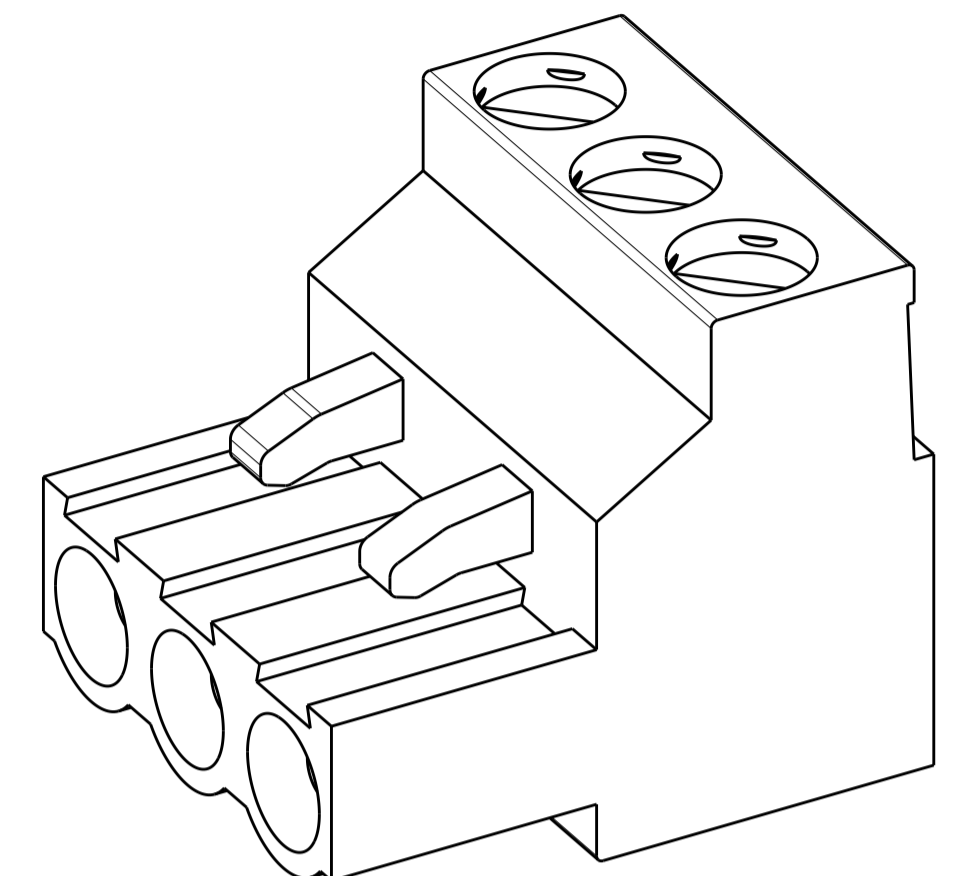
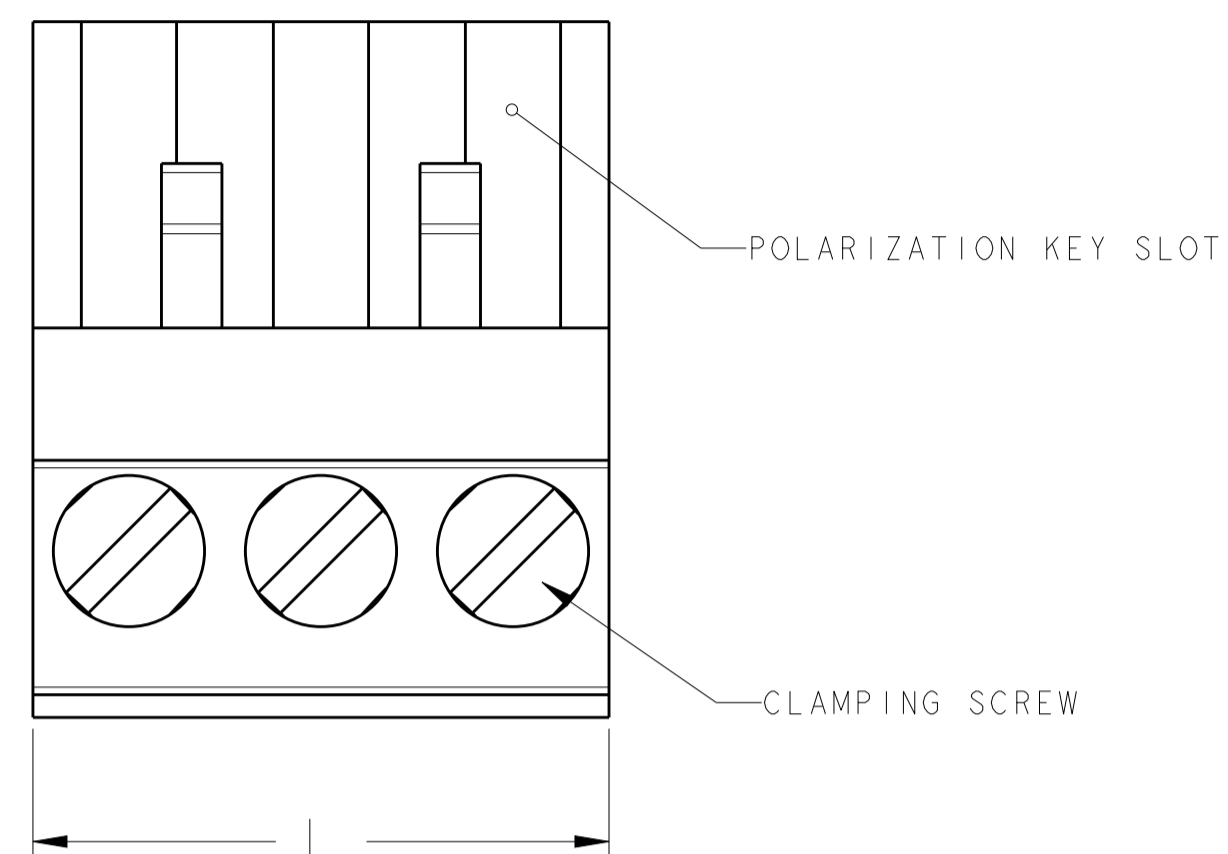
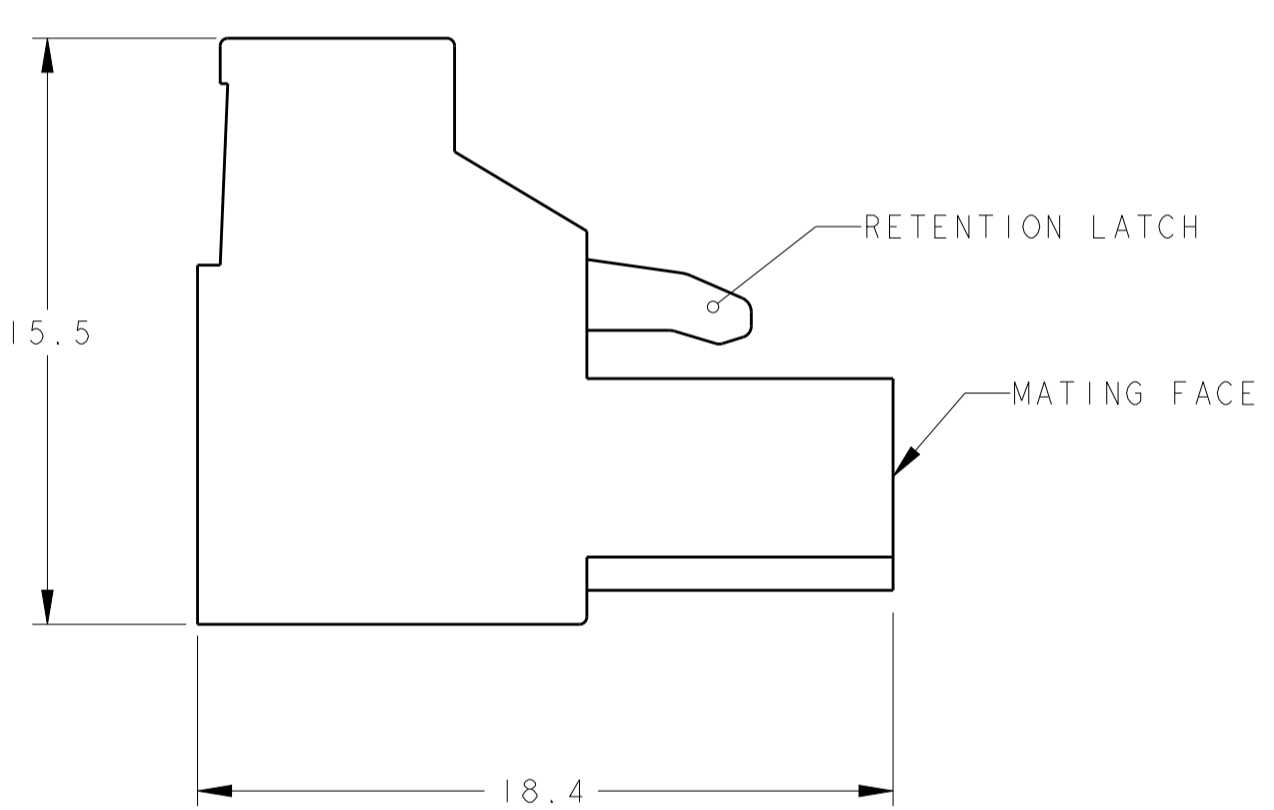
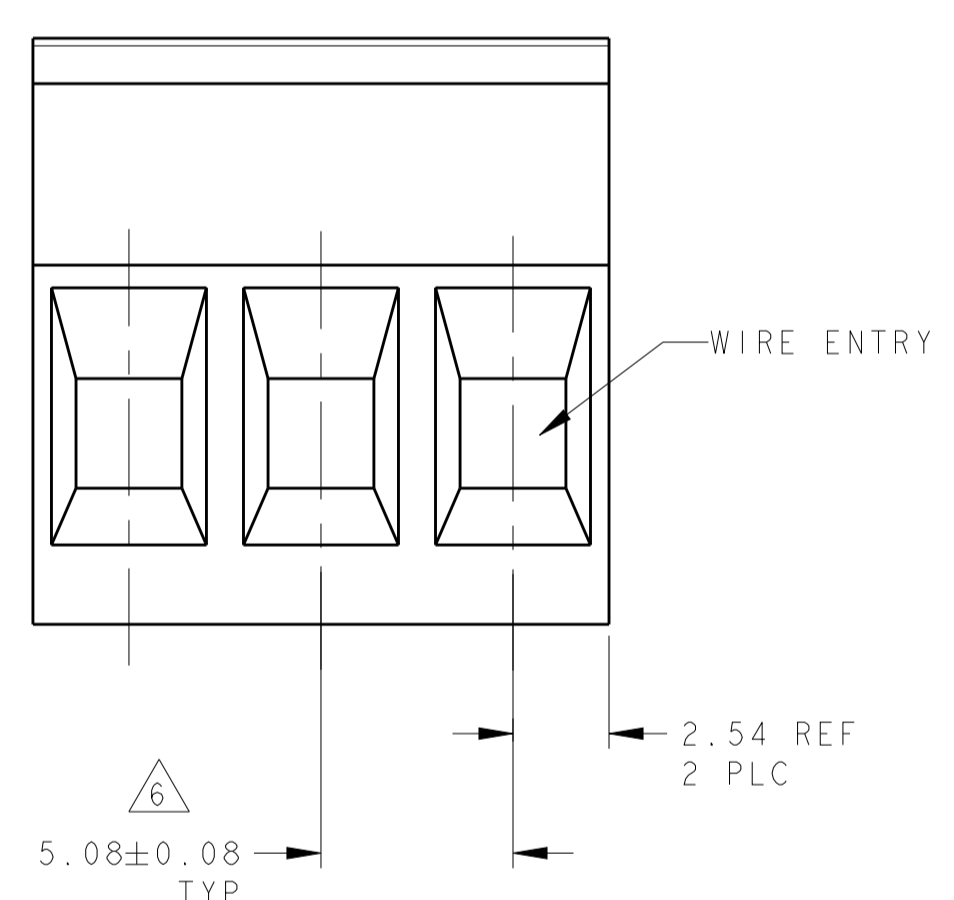


| REVISIONS | | | | |
|-----------|-----|---|-----------|----------|
| P | LTN | DESCRIPTION | DATE | OWN APVD |
| R13 | | PN 1-796634-1 RELEASED FOR PRODUCTION, PN 5-196634-1 OBSOLETE | 12MAY2020 | SS PS |



796634-3 AS SHOWN



- MATERIALS AND FINISH:
HOUSING: PA 6-6, UL 94-V0, COLOR:GREEN.
CLAMP: BRASS, PLATING: SEE TABLE.
DOUBLE SIDE CONTACT SPRING: PHOSPHOR BRONZE, PLATING: SEE TABLE.
CLAMPING SCREW: M3, BRASS, NICKEL PLATED.
 - MECHANICAL
MAX. INSERTION FORCE PER POLE : 3.0 N
MIN. WITHDRAWAL FORCE PER POLE : 1.5 N
WIRE STRIPPING LENGTH : 6.0-7.5 mm
RECOMMENDED TIGHTENING TORQUE FOR SCREW : 0.5 Nm.
 - ELECTRICAL
WIRE RANGE : 12-30 AWG
MAX. VOLTAGE : 300 V
MAX CURRENT : 15 A
CONTACT RESISTANCE : <15 m Ohm
INSULATION RESISTANCE : >1000 M Ohm (500V DC)
 - END-TO-END STACKABLE WITHOUT LOSS OF CENTERLINE SPACING.
 - OPERATING TEMPERATURE RANGE: -40°C TO +105°C
- 6 NOT CUMULATIVE TOLERANCE
- 7 INK MARKING, WHITE COLOR
- 8 INK MARKING, BLACK COLOR
- 9 NUMERICAL SEQUENCE: FROM LEFT TO RIGHT UNLESS OTHERWISE SPECIFIED.
10. BUCHANAN LOGO TO APPEAR ON HOUSING, LOCATION OPTIONAL WHERE SPACE PERMITS.
- 11 INK MARKING, BLACK COLOR SELECTIVELY LOADED IN POSITIONS 1,2,4,5,7,8.

| REMOVE PIN 3 | PRELIMINARY | NICKEL | TIN | 7/9 | DETAIL AB | 86.36±0.30 | 17 | 8-796634-4 | | | |
|--------------|-------------|--------------------------|--------------------------|-----|---------------|-----------------|---------|-----------------------|---|------------|-------------|
| | PRELIMINARY | NICKEL | TIN | - | - | 25.40±0.20 | 5 | 8-796634-3 | | | |
| | PRELIMINARY | NICKEL | 0.76 μm AU | - | - | 106.68 ±0.35 | 21 | 8-796634-2 | | | |
| | PRELIMINARY | NICKEL | 0.76 μm AU | - | - | 86.36±0.30 | 17 | 8-796634-1 | | | |
| | PRELIMINARY | NICKEL | 0.76 μm AU | - | - | 71.12 | 14 | 8-796634-0 | | | |
| | PRELIMINARY | NICKEL | 0.76 μm AU | - | - | 60.96 | 12 | 7-796634-9 | | | |
| | PRELIMINARY | NICKEL | 0.76 μm AU | - | - | 50.80 | 10 | 7-796634-8 | | | |
| | PRELIMINARY | NICKEL | 0.76 μm AU | - | - | 45.72 | 9 | 7-796634-7 | | | |
| | PRELIMINARY | NICKEL | 0.76 μm AU | - | - | 40.64 | 8 | 7-796634-6 | | | |
| | PRELIMINARY | NICKEL | 0.76 μm AU | - | - | 35.56±0.20 | 7 | 7-796634-5 | | | |
| | PRELIMINARY | NICKEL | 0.76 μm AU | - | - | 30.48±0.20 | 6 | 7-796634-4 | | | |
| | PRELIMINARY | NICKEL | 0.76 μm AU | - | - | 25.40±0.20 | 5 | 7-796634-3 | | | |
| | PRELIMINARY | NICKEL | 0.76 μm AU | - | - | 20.32±0.15 | 4 | 7-796634-2 | | | |
| | | NICKEL | 0.76 μm AU | - | - | 15.24±0.15 | 3 | 7-796634-1 | | | |
| | | NICKEL | 0.76 μm AU | - | - | 10.16±0.15 | 2 | 7-796634-0 | | | |
| | | NICKEL | TIN | - | DETAIL Z | 40.64 | 8 | 6-796634-9 | | | |
| | | NICKEL | TIN | 7/9 | DETAIL Z | 91.44±0.30 | 18 | 6-796634-8 | | | |
| | | NICKEL | TIN | 7/9 | DETAIL Y | 81.28±0.30 | 16 | 6-796634-7 | | | |
| OBSOLETE | | NICKEL | TIN | 7/9 | DETAIL X | 15.24±0.15 | 3 | 6-796634-6 | | | |
| OBSOLETE | | NICKEL | TIN | 8/9 | DETAIL W | 101.60±0.35 | 20 | 6-796634-5 | | | |
| | | NICKEL | TIN | 7 | DETAIL V | 15.24±0.15 | 3 | 6-796634-4 | | | |
| OBSOLETE | | NICKEL | TIN | 7 | DETAIL T | 15.24±0.15 | 3 | 6-796634-3 | | | |
| | | NICKEL | TIN | 7 | DETAIL S | 10.16±0.15 | 2 | 6-796634-2 | | | |
| | | .000008 GOLD OVER NICKEL | .000008 GOLD OVER NICKEL | - | - | 10.16±0.15 | 2 | 5-796634-6 | | | |
| | | NICKEL | GOLD FLASH | - | - | 25.40±0.20 | 5 | 5-796634-5 | | | |
| OBSOLETE | | NICKEL | GOLD FLASH | - | - | 20.32±0.15 | 4 | 5-796634-4 | | | |
| | | NICKEL | GOLD FLASH | - | - | 10.16±0.15 | 2 | 5-796634-3 | | | |
| | | NICKEL | TIN | 8 | DETAIL P3 | 45.72 | 9 | 5-796634-1 | | | |
| PRELIMINARY | | NICKEL | TIN | 8 | DETAIL P2 | 45.72 | 9 | 5-796634-0 | | | |
| | | NICKEL | TIN | 7/9 | DETAIL A-A | 45.72 | 9 | 4-796634-9 | | | |
| PRELIMINARY | | NICKEL | TIN | 8 | DETAIL PI | 20.32±0.15 | 4 | 4-796634-5 | | | |
| OBSOLETE | | NICKEL | TIN | 7 | DETAIL R | 71.12 | 14 | 4-796634-4 | | | |
| | | NICKEL | TIN | 8/9 | DETAIL P | 55.88 | 11 | 4-796634-2 | | | |
| | | NICKEL | TIN | 7/9 | DETAIL P | 55.88 | 11 | 4-796634-1 | | | |
| | | NICKEL | TIN | 7/8 | DETAIL N | 35.56±0.20 | 7 | 4-796634-0 | | | |
| | | NICKEL | TIN | 7/9 | DETAIL M | 81.28±0.30 | 16 | 3-796634-9 | | | |
| | | NICKEL | TIN | 8/9 | DETAIL K | 81.28±0.30 | 16 | 3-796634-8 | | | |
| | | NICKEL | TIN | 7/9 | DETAIL J | 121.92±0.35 | 24 | 3-796634-7 | | | |
| | | NICKEL | TIN | 8/9 | DETAIL H | 121.92±0.35 | 24 | 3-796634-6 | | | |
| | | NICKEL | TIN | 7/9 | DETAIL G | 121.92±0.35 | 24 | 3-796634-5 | | | |
| | | NICKEL | TIN | 8/9 | DETAIL F | 121.92±0.35 | 24 | 3-796634-4 | | | |
| | | NICKEL | TIN | 7/9 | DETAIL E | 50.80 | 10 | 2-796634-8 | | | |
| | | NICKEL | TIN | 7/9 | DETAIL D | 40.64 | 8 | 2-796634-7 | | | |
| | | NICKEL | TIN | - | - | 127.00±0.35 | 25 | 2-796634-5 | | | |
| | | NICKEL | TIN | - | - | 121.92±0.35 | 24 | 2-796634-4 | | | |
| | | NICKEL | TIN | - | - | 116.84±0.35 | 23 | 2-796634-3 | | | |
| | | NICKEL | TIN | - | - | 111.76±0.35 | 22 | 2-796634-2 | | | |
| | | NICKEL | TIN | - | - | 106.68±0.35 | 21 | 2-796634-1 | | | |
| | | NICKEL | TIN | - | - | 101.60±0.35 | 20 | 2-796634-0 | | | |
| | | NICKEL | TIN | - | - | 96.52±0.35 | 19 | 1-796634-9 | | | |
| | | NICKEL | TIN | - | - | 91.44±0.30 | 18 | 1-796634-8 | | | |
| | | NICKEL | TIN | - | - | 86.36±0.30 | 17 | 1-796634-7 | | | |
| | | NICKEL | TIN | - | - | 81.28±0.30 | 16 | 1-796634-6 | | | |
| | | NICKEL | TIN | - | - | 76.20±0.30 | 15 | 1-796634-5 | | | |
| | | NICKEL | TIN | - | - | 71.12 | 14 | 1-796634-4 | | | |
| | | NICKEL | TIN | - | - | 66.04 | 13 | 1-796634-3 | | | |
| | | NICKEL | TIN | - | - | 60.96 | 12 | 1-796634-2 | | | |
| | | NICKEL | TIN | - | - | 55.88 | 11 | 1-796634-1 | | | |
| | | NICKEL | TIN | - | - | 50.80 | 10 | 1-796634-0 | | | |
| | | NICKEL | TIN | - | - | 45.72 | 9 | 796634-9 | | | |
| | | NICKEL | TIN | - | - | 40.64 | 8 | 796634-8 | | | |
| | | NICKEL | TIN | - | - | 35.56±0.20 | 7 | 796634-7 | | | |
| | | NICKEL | TIN | - | - | 30.48±0.20 | 6 | 796634-6 | | | |
| | | NICKEL | TIN | - | - | 25.40±0.20 | 5 | 796634-5 | | | |
| | | NICKEL | TIN | - | - | 20.32±0.15 | 4 | 796634-4 | | | |
| | | NICKEL | TIN | - | - | 15.24±0.15 | 3 | 796634-3 | | | |
| | | NICKEL | TIN | - | - | 10.16±0.15 | 2 | 796634-2 | | | |
| | | | | | CLAMP PLATING | CONTACT PLATING | MARKING | SPECIAL | L | NO OF POSN | PART NUMBER |

THIS DRAWING IS A CONTROLLED DOCUMENT.

OWN: S. WELDON 18OCT2000
CHK: D. BIEVENOUR 18OCT2000
APVD: D. BIEVENOUR 18OCT2000

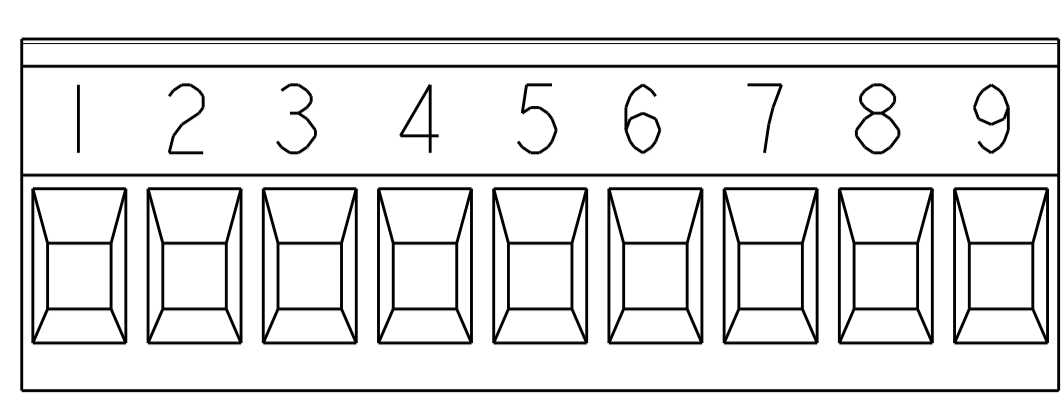
TE Connectivity

NAME: TERMINAL BLOCK, PLUG, STACKING, 5.08mm PITCH

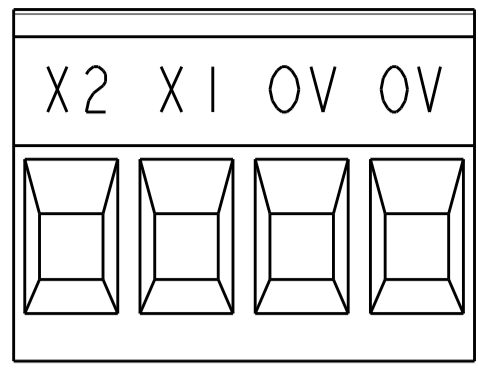
SIZE: A | 00779C=796634 | SHEET 1 OF 3 | REV R13

SCALE: 5:1

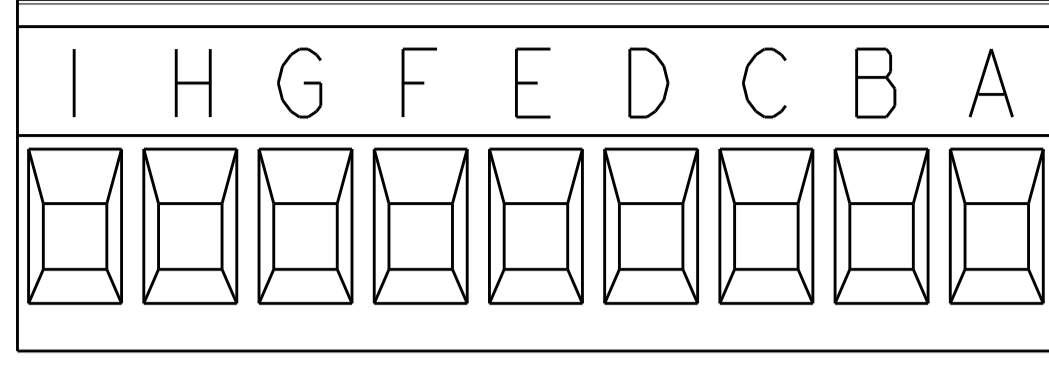
| REVISIONS | | | | |
|-----------|-------------|-------------|------|------|
| P. | LTN | DESCRIPTION | DATE | APVD |
| - | SEE SHEET 1 | | | |
| | | | | |
| | | | | |



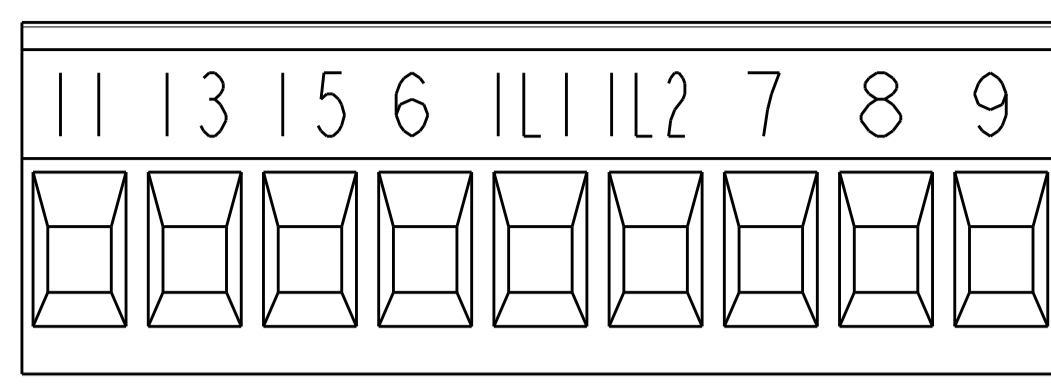
DETAIL A-A



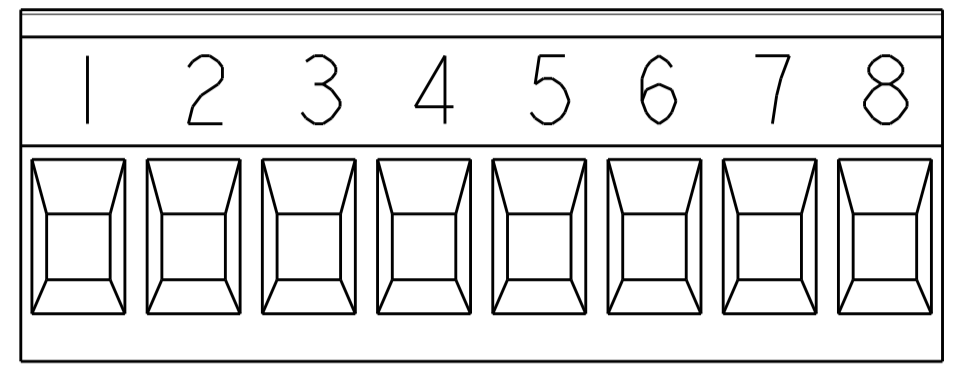
DETAIL P1



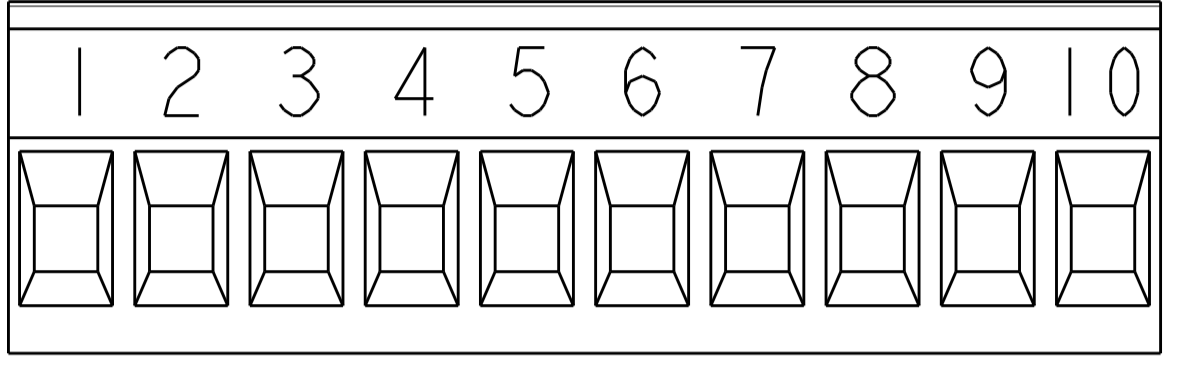
DETAIL P2



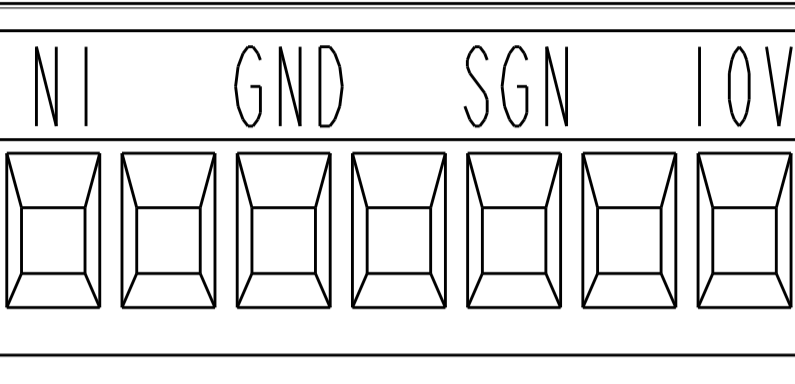
DETAIL P3



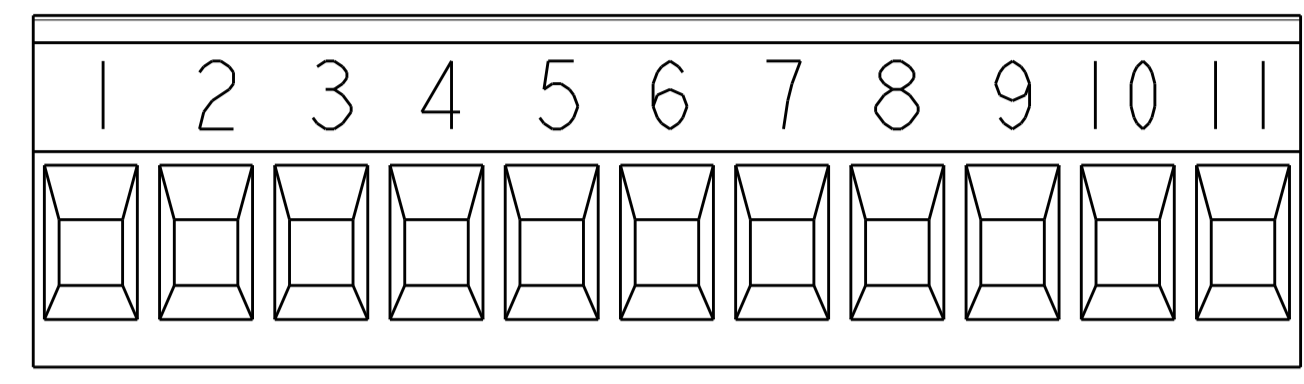
DETAIL D



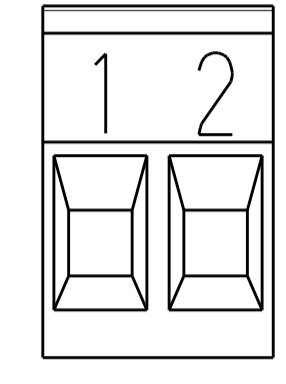
DETAIL E



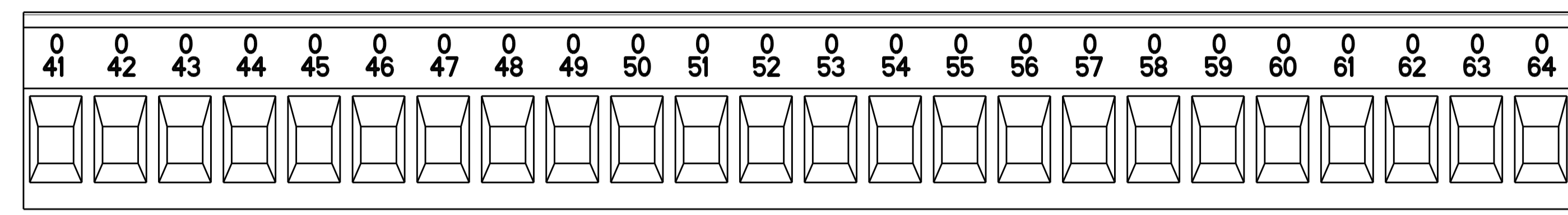
DETAIL N



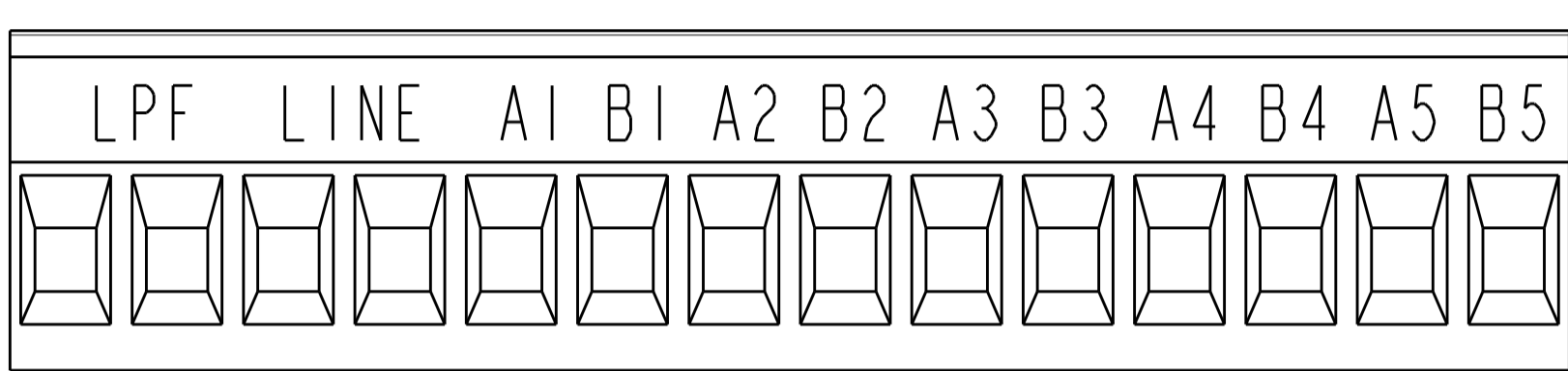
DETAIL P



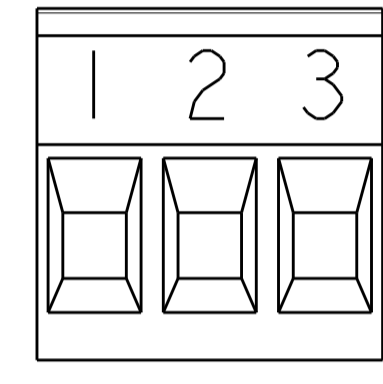
DETAIL S



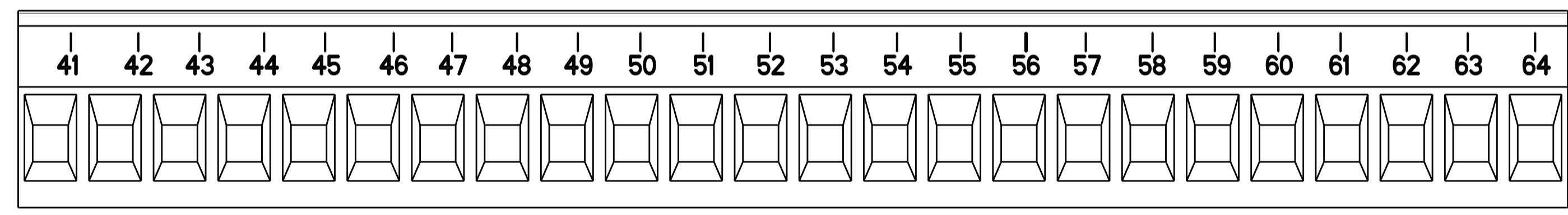
DETAIL F



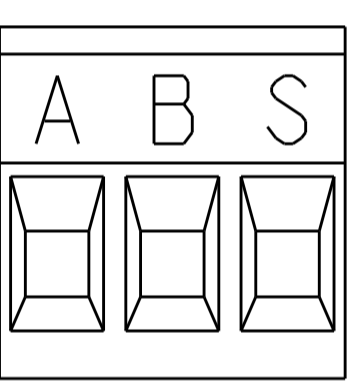
DETAIL R



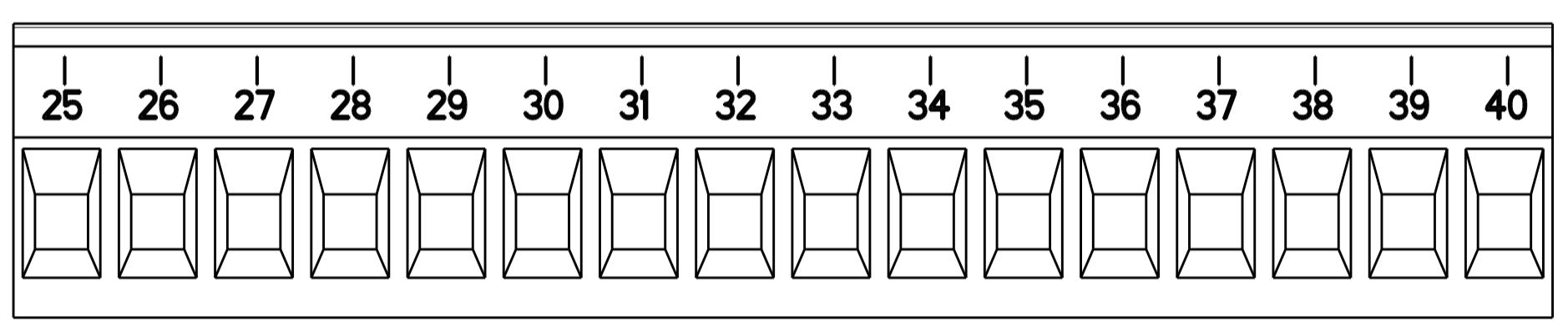
DETAIL T



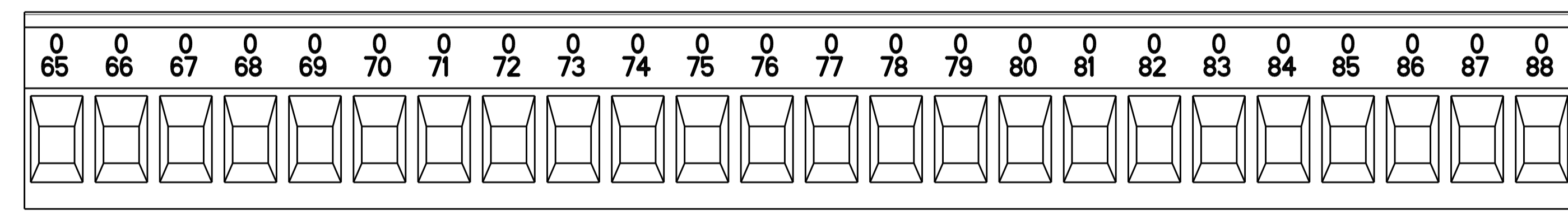
DETAIL G



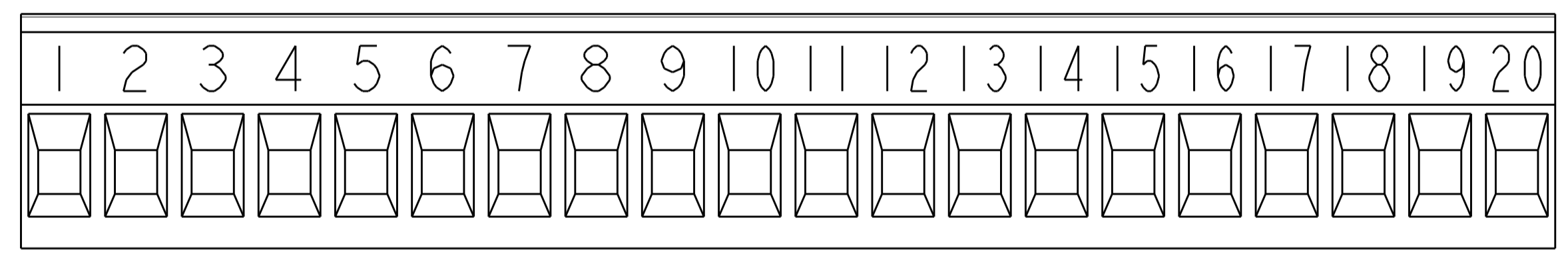
DETAIL V



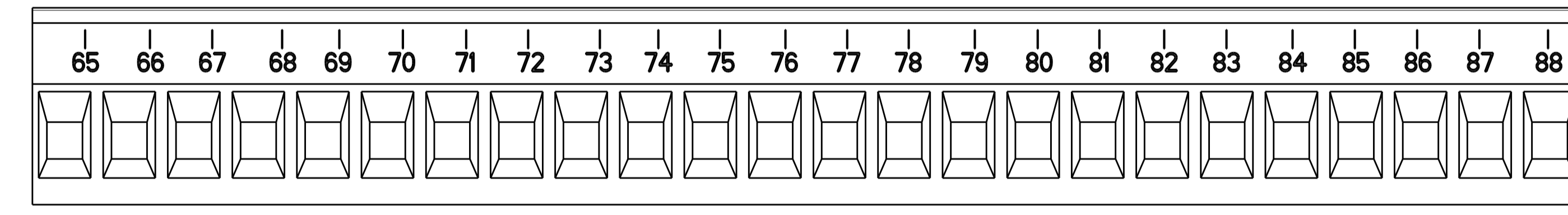
DETAIL M



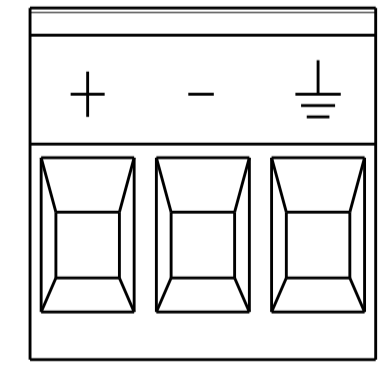
DETAIL H



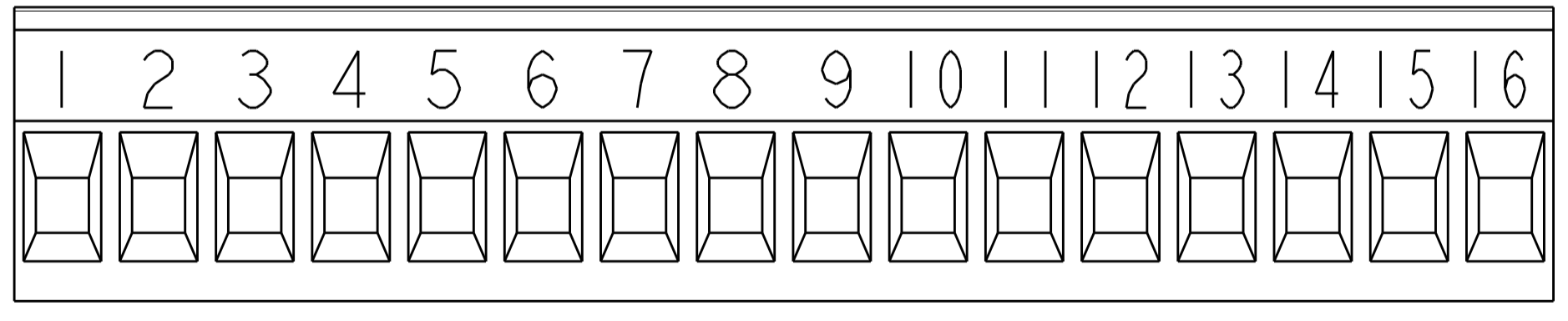
DETAIL W



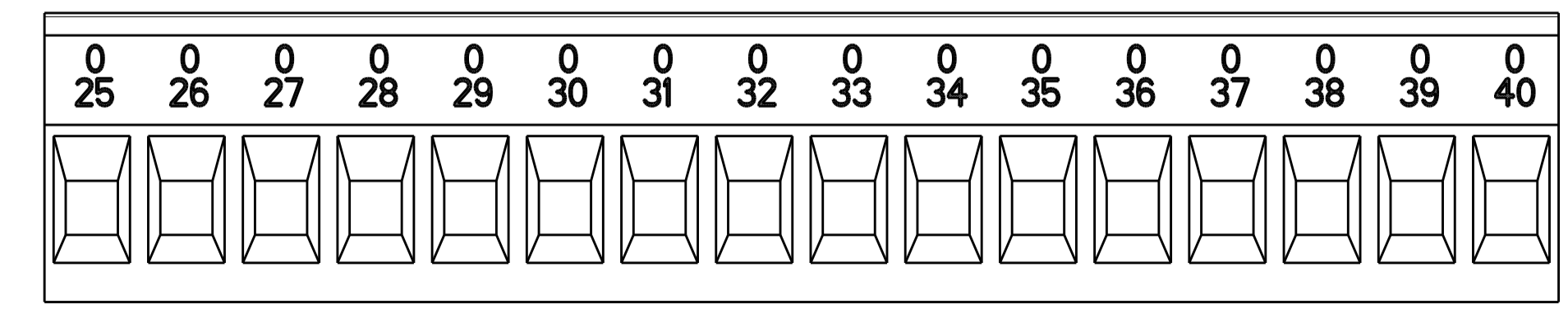
DETAIL J



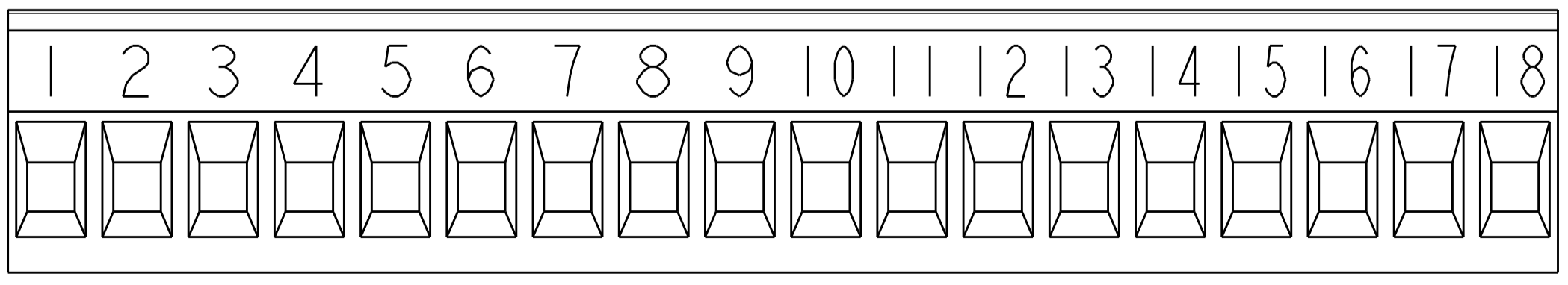
DETAIL X



DETAIL Y



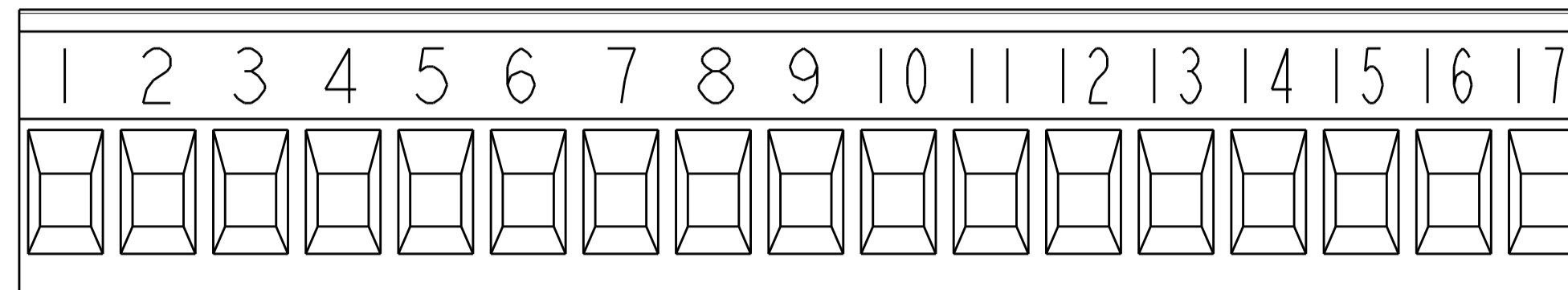
DETAIL K



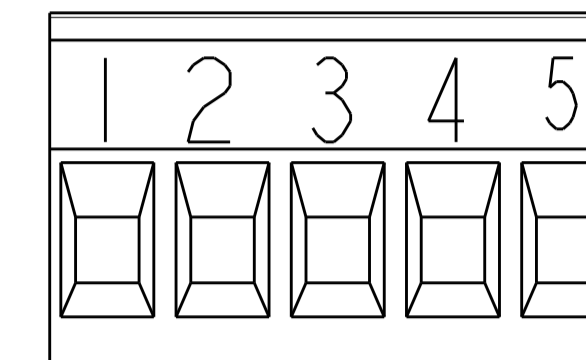
DETAIL Z

| | | | |
|--|--|------------------------------|--|
| THIS DRAWING IS A CONTROLLED DOCUMENT. | | DWN: S. WELDON 18OCT2000 | TE Connectivity |
| DIMENSIONS: mm | | CHK: D. BIEVENOUR 18OCT2000 | |
| TOLERANCES UNLESS OTHERWISE SPECIFIED: 0 PLC ±0.3 1 PLC ±0.25 2 PLC ±0.25 3 PLC ±0.25 4 PLC ±0.25 ANGLES ±2° FINISH SEE NOTES | | APVD: D. BIEVENOUR 18OCT2000 | NAME: TERMINAL BLOCK, PLUG, STACKING, 5.08mm PITCH |
| MATERIAL: SEE NOTES | | PRODUCT SPEC: - | APPLICATION SPEC: - |
| WEIGHT: - | | SIZE: A100779 | RESTRICTED TO: - |
| CUSTOMER DRAWING | | CAGE CODE: - | DRAWING NO: 796634 |
| SCALE: 4:1 | | SHEET: 2 OF 3 | REV: R13 |

| REVISIONS | | | | |
|-----------|-------------|-------------|------|------|
| P. | LTN | DESCRIPTION | DATE | APVD |
| - | SEE SHEET 1 | | - | - |
| | | | | |
| | | | | |



DETAIL AB



DETAIL AC

| | | | | | | | |
|--|-------------------------|------------------------|--|----------------------|-------------------|----------------------|---------------------------|
| PRELIMINARY | NICKEL CLAMP PLATING | TIN CONTACT PLATING | MARKING | DETAIL AC SPECIAL | 25.40 L | 5 NO OF POSN | 8-796634-5 PART NUMBER |
| THIS DRAWING IS A CONTROLLED DOCUMENT. | | | DWN S. WELDON 18OCT2000 CHK D. BIEVENOUR 18OCT2000 | | | | |
| DIMENSIONS: mm | | | TOLERANCES UNLESS OTHERWISE SPECIFIED: 0 PLC ± 1 PLC ±0.3 2 PLC ±0.25 3 PLC ± 4 PLC ± ANGLES ±2° | | | | |
| MATERIAL: SEE NOTES | FINISH: SEE NOTES | | WEIGHT: - | SIZE: A | CAGE CODE: 100779 | DRAWING NO: C=796634 | RESTRICTED TO: - |
| CUSTOMER DRAWING | | | | SCALE: 5:1 | SHEET: 3 OF 3 | REV: R13 | |