

REV	SIGN	DATE	DESCRIPTION	APPROVER
D	△	01/27'07	The soldering temperature from 245° to 250°	Aaron
E	△	10/09'12	Update the drawing	Da cheng
F	△	04/19'13	Update the drawing	Jacky
G	△	02/06'17	Add the TUV safety certification and electrical specifications	Chen Bo
	△	02/06'17	Change the dimension from 3.8 to 3.5	Chen Bo

THIS IS CAD DRAWING, DO NOT REVISE MANUALLY!!!

△ Material

- Item ① Contact pin: Brass, Bright Tin plated over Nickel plated
- Item ② Spring clamp: Stainless steel
- Item ③ Terminal Cover: Thermoplastic (UL94V-0)
- Item ④ Terminal Body: Thermoplastic (UL94V-0)

Electrical

- Voltage rating: 300V
- Current rating: 15A
- Wire range: 12-28
- Solid wire (AWG): 12-28
- Stranded wire (AWG): 12-28
- △ Wire strip length: 5-6mm
- Withstanding Voltage: 1.6KV
- △ Operating temperature: -40°C to +115°C
- Soldering temperature: 260°C ± 5°C / 5 Sec
- △ Safety Approval:
- △ Critical dimension: ▲

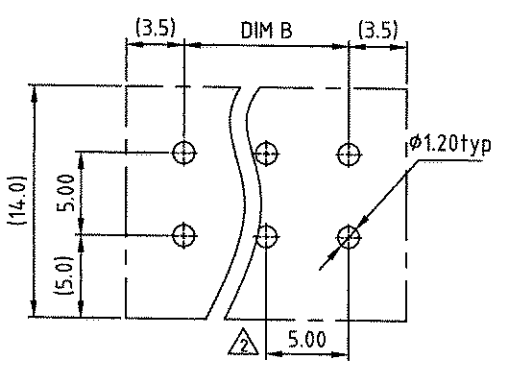
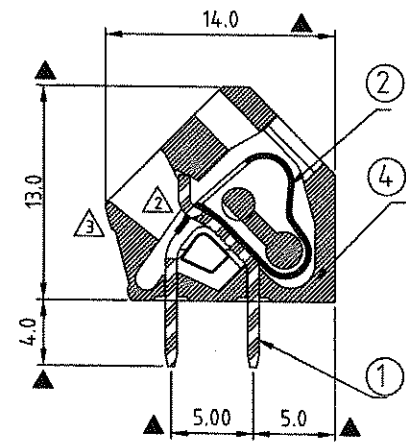
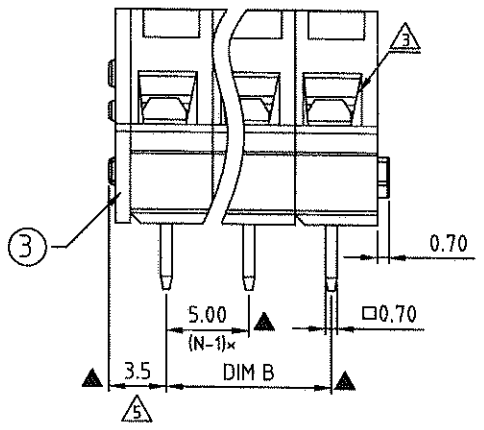
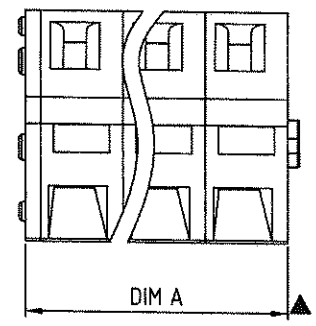
cULus TUV

300V 300V
15A 32A



HG xx 00 x 0 xxxx G

- ③ 01 1 CONTACTS
 - ③ 02 2 CONTACTS
 -
 - ③ 24 24 CONTACTS
- Color
- 0 Black (RAL9005)
 - 2 Red (RAL3001/D)
 - 3 Orange (RAL2011/P)
 - 4 Yellow (RAL1018/A)
 - 5 Green (RAL6018/T)
 - 6 Blue (RAL5015/A)
 - 8 Grey (RAL7004/P)
 - 9 White (RAL1102)
 - C Multiple colors
- G: RoHS compliant (lead < 4%) in copper Alloy
- 000 0 Standard @ Logo
000 A Standard ANY Logo
Any special item by customer request, please contact sales department.



PCB LAYOUT
△ Bottom view

△ Dimension

DIM A	Nx5.0+0.9
DIM B	(N-1)x5.0

△ N=Number of poles

POLES	DIM B	DIM A
1P		±0.10
2p-6p	±0.15	±0.20
7p-12p	±0.20	±0.25
13p-18p	±0.25	±0.30
19p-24p	±0.35	±0.40

Amphenol ANYTEK		CUSTOMER COPY	
ALL RIGHTS RESERVED. REPRODUCTION OR ISSUE TO THIRD PARTIES IN ANY FORM WHATSOEVER IS NOT PERMITTED WITHOUT WRITTEN AUTHORITY FROM THE PROPRIETOR. PROPERTY OF ANYTEK TECHNOLOGY CO., LTD			
TITLE	HG 5.0mm Series		
PART NO.	HGxx00x0xxxxG	DWG NO.	8HG0001
APPROVED	CHECKED	DESIGNED	DRAWN
<i>Da cheng</i>	<i>Chen Bo</i>	Chen Bo 02/06-17	Chen Bo 02/06-17
SHEET: 01/01		UNIT: mm	Tolerance
		SCALE: NONE	X. ±0.50
		REV.: G	X.X ±0.30
			X.XX ±0.10
			X° ±1°