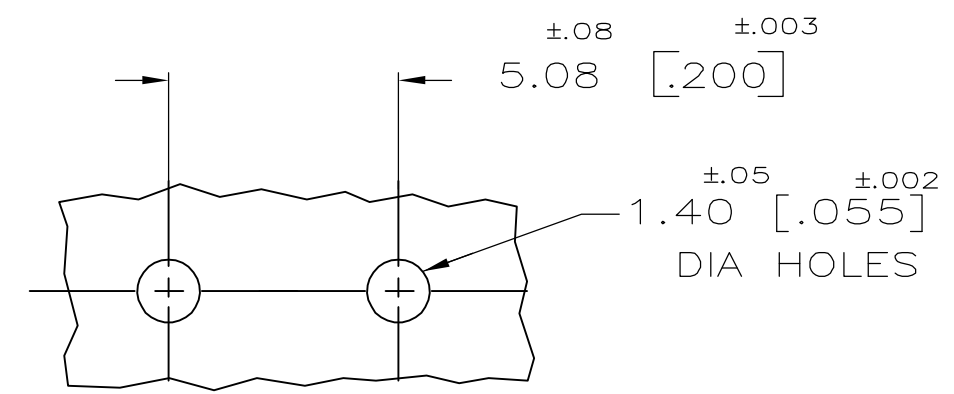
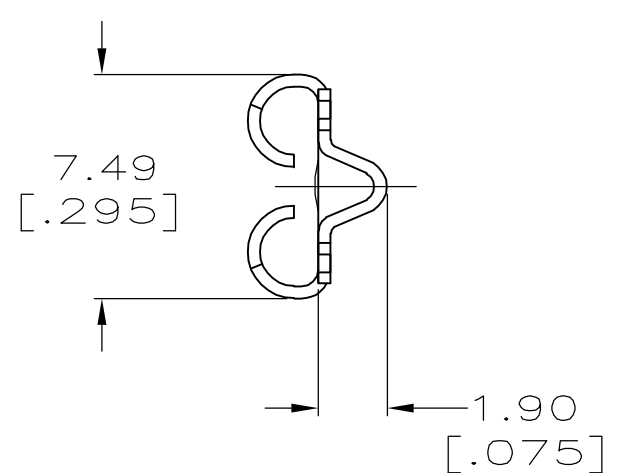
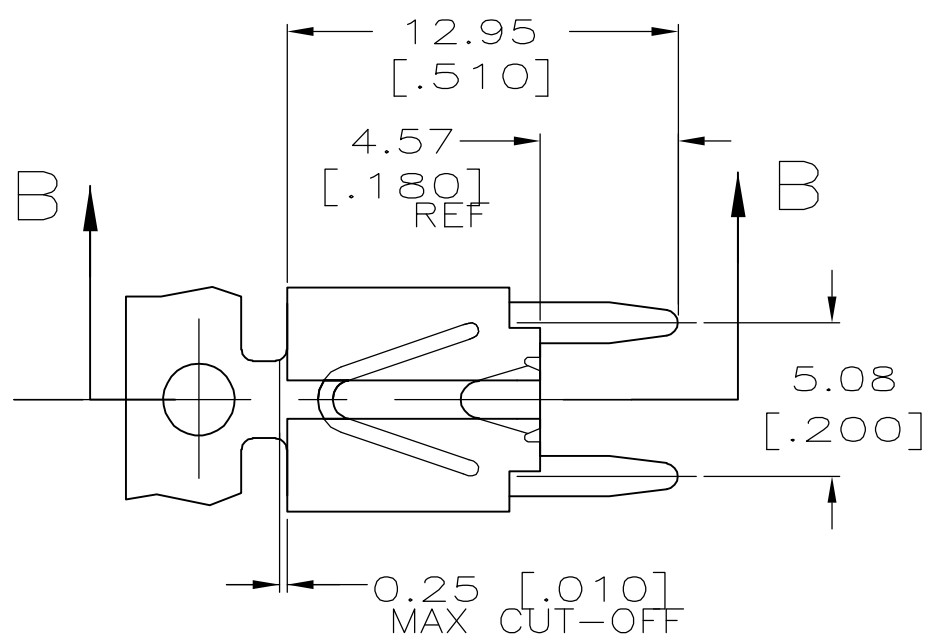


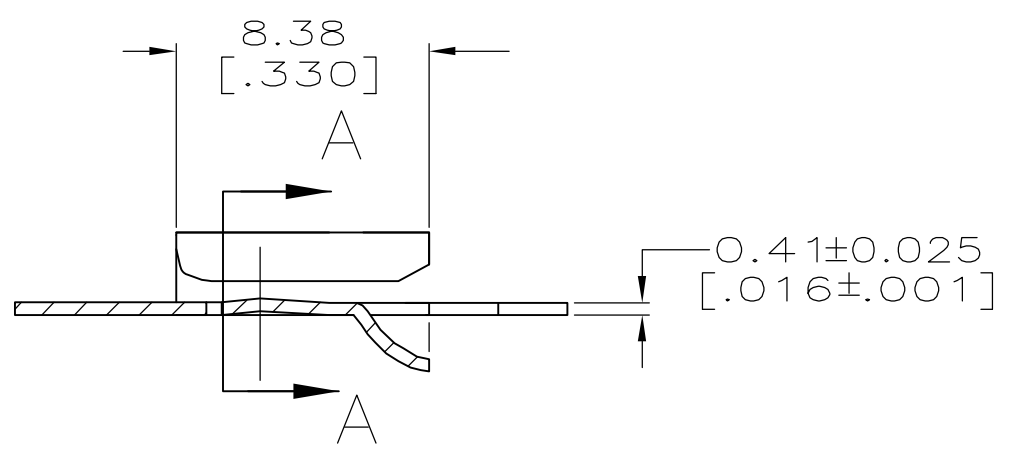
THIS DRAWING IS UNPUBLISHED. RELEASED FOR PUBLICATION
 © COPYRIGHT BY TYCO ELECTRONICS CORPORATION. ALL RIGHTS RESERVED.

LOC	DIST	REVISIONS					
AF	50	P	LTR	DESCRIPTION	DATE	DWN	APVD
			D2	REV PER ECR 05-013999	25OCT05	JR	PD

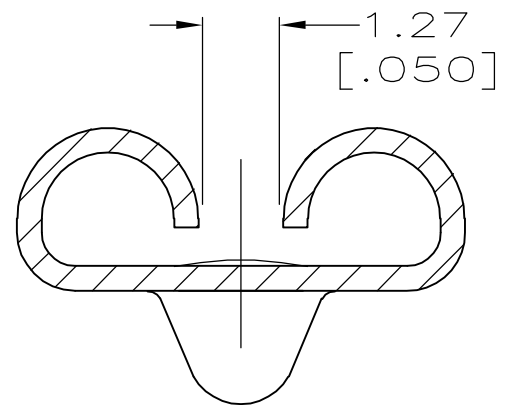
- 1 CONTINUOUS STRIP ON REELS.
- △2 0.00254 [.000100] MIN THK TIN OVER 0.00127 [.000050] MIN NICKEL
- 3 MATING TAB THK IS 0.635±0.025 [.025±.001].
- △4 REVERSE REELING OF -1



P.C.B. HOLES



SECTION B-B



SECTION A-A
SCALE 8:1

△4	1217137-2
	1217137-1
	PART NO.

THIS DRAWING IS A CONTROLLED DOCUMENT.		DWN	JR RUTH	26JAN99		Tyco Electronics Corporation			
DIMENSIONS: INCHES		CHK	MS FEHER	26JAN99		Harrisburg, PA 17105			
		APVD	D BRATINA	26JAN99		NAME			
TOLERANCES UNLESS OTHERWISE SPECIFIED:		PRODUCT SPEC		RECEPTACLE, FASTON, 6.35/5.21			RESTRICTED TO		
0 PLC ± -		APPLICATION SPEC		[.250/.205] SERIES, PC BOARD MOUNTED			-		
1 PLC ± -		WEIGHT		SIZE			CAGE CODE		
2 PLC ± 0.25 [.010]		-		A3			00779		
3 PLC ± -		-		DRAWING NO			C-1217137		
4 PLC ± -		-		SCALE			4:1		
ANGLES ± -		-		SHEET			1 OF 1		
FINISH		-		REV			D2		
H04 BRASS		-		CUSTOMER DRAWING					